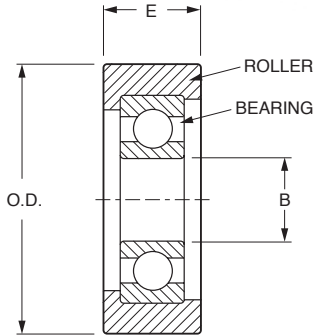


NEW**SDPSI**

Inch Inch Inch Inch Inch Inch Inch

Rollers**Stock Drive Products/Sterling Instrument ■ Phone: 516-328-3300 ■ Fax: 516-326-8827**

- WITH BEARING ■ NYLON SURFACE ■ FOR LOADS OF 50 TO 230 POUNDS

INTECH Power-Core™**MATERIAL: Roller** – Cast Nylon 12 (PA12G)**Bearing** – Ball bearing shielded on both sides

Catalog Number	O.D.	B Bore +.000 -.005	E Roller Width	Load Capacity lb.
S7NPCY-25081	.812	.250	.274	50
S7NPCY-25100	1.000	.250	.390	90
S7NPCY-38131	1.312	.375	.500	140
S7NPCY-38138	1.375	.375	.500	150
S7NPCY-50150	1.500	.500	.438	160
S7NPCY-50200	2.000	.500	.500	230