

CYLINDRICAL MOUNTINGS • TO 86 lbf



FOR COMPRESSION LOADS OF 37 TO 86 lbf
NOT RECOMMENDED FOR STATIC SHEAR LOADS

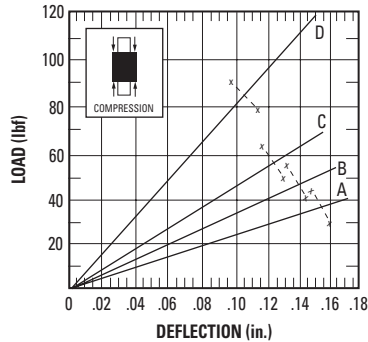
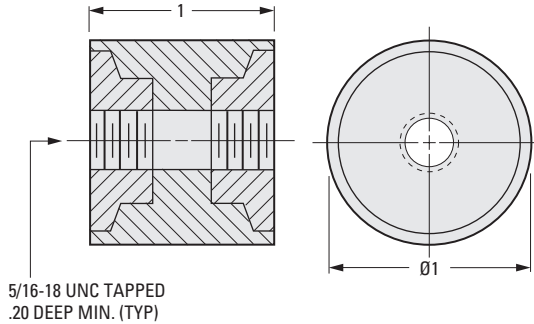
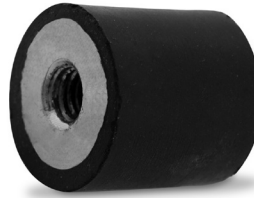
PHONE: 516.328.3300 • FAX: 516.326.8827 • WWW.SDP-SI.COM

► **MATERIAL:**

Fastener - Steel, Zinc Plated
Isolator - Natural Rubber

► **LOAD DEFLECTION GRAPHS:**

Deflections below the line x-x are considered safe practice for static loads; data above that line are useful for calculating deflections under dynamic loads.



**INCH COMPONENT
CATALOG NUMBER**

A 10Z 2-319

Load Rating
A, B, C or D

Compression		Forcing Frequency in Cycles per Minute									
Load Rating	Maximum Load lbf	700	950	1100	1250	1500	1750	2000	2250	2500	3000
Minimum Load for 81% Isolation (lbf)											
A	37	—	—	—	35.0	24.0	18.0	13.5	11.0	—	—
B	48	—	—	—	—	34.0	26.0	20.5	16.0	13.0	—
C	57	—	—	—	—	46.0	32.5	26.5	20.0	16.0	—
D	86	—	—	—	—	80.0	59.0	48.0	36.0	30.0	21.0

8-30
D820

Rev:
12/23/22

- I
- R
- T
- 1
- 2
- 3
- 4
- 5
- 6
- 7
- 8
- 9
- 10
- 11
- 12
- 13
- 14
- 15
- 16