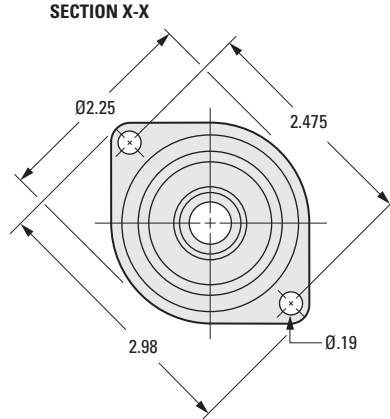
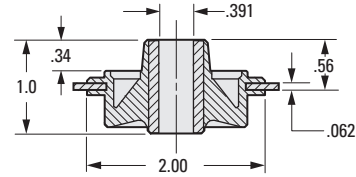
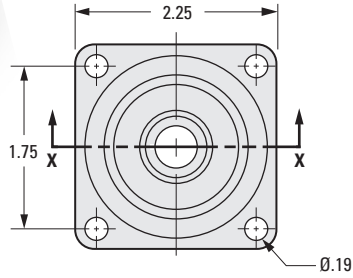


FOR LOADS OF 12 TO 60 lbf

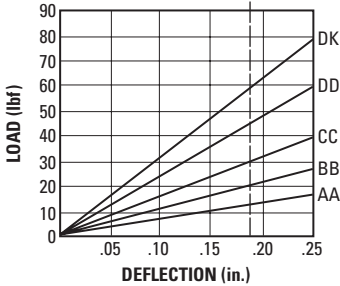
PHONE: 516.328.3300 • FAX: 516.326.8827 • WWW.SDP-SI.COM

**> MATERIAL:**

**Isolator** - Natural Rubber  
**Base** - Steel or Aluminum



**LOAD/DEFLECTION GRAPH**  
 Maximum Recommended  
 Static Load/Deflection



INCH COMPONENT		
Catalog Number		
Aluminum	Steel	Base Type
—	A10Z40-1260CC3	Square
—	A10Z40-1260DD3	
—	A10Z40-1260DK3	
A10Z40-1260AA2	A10Z40-1260AA4	Diamond
—	A10Z40-1260BB4	
A10Z40-1260CC2	A10Z40-1260CC4	
A10Z40-1260DD2	A10Z40-1260DD4	
A10Z40-1260DK2	A10Z40-1260DK4	

Load Rating	Maximum Load lbf	Forcing Frequency in Cycles per Minute							
		1100	1250	1500	1750	2000	2500	3000	3500
		Minimum Load for 81% Isolation (lbf)							
AA	12	12	10	7	5	3	2	2	1
BB	20	20	16	11	7	6	4	3	2
CC	30	30	23	15	11	9	5	4	3
DD	45	45	35	23	17	13	8	6	4
DK	60	60	47	31	22	17	11	7	6

**NOTES:** 1. The above plate mounts are available in Neoprene as a special order (200 pc. minimum).  
 2. The above plate mounts may be discontinued but are available in large quantities.

