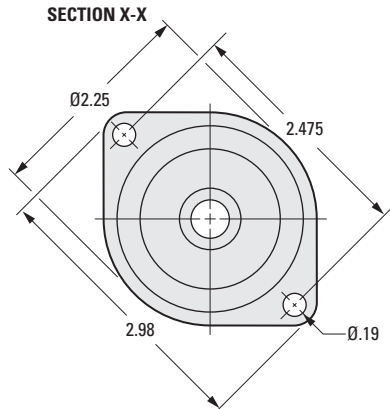
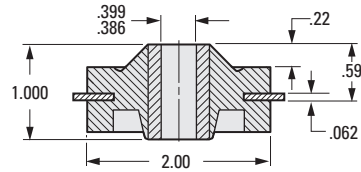
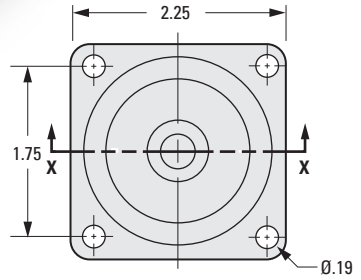
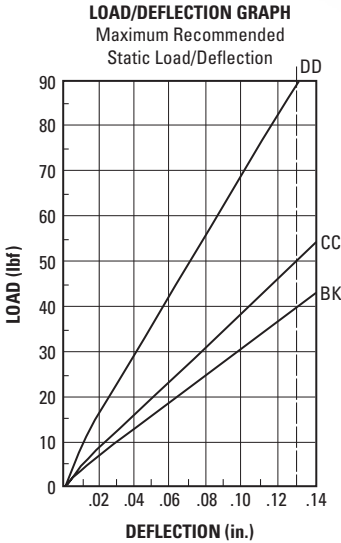
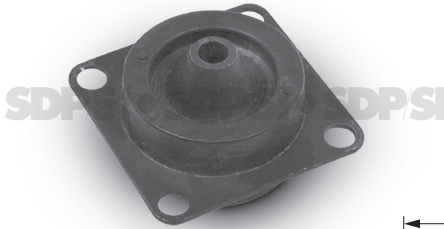


FOR LOADS OF 30 TO 90 lbf

PHONE: 516.328.3300 • FAX: 516.326.8827 • WWW.SDP-SI.COM

**> MATERIAL:**

Isolator - Natural Rubber  
Base - Steel



INCH COMPONENT	
Catalog Number	
Steel	Base Type
A10Z40-1220CC3	Square
A10Z40-1220DD3	
A10Z40-1220BK4	
A10Z40-1220DD4	Diamond

Load Rating	Maximum Load lbf	Forcing Frequency in Cycles per Minute						
		1325	1750	2000	2500	3000	3500	4000
		Minimum Load for 81% Isolation (lbf)						
BK	40	40	23	18	11.0	7.8	5.7	4.4
CC	50	50	29	22	14.0	10.0	7.2	5.5
DD	90	90	52	40	25.0	18.0	13.0	10.0

**NOTES:** 1. The above platemounts are available in Neoprene as a special order (200 pc. minimum).  
2. The above platemounts may be discontinued but are available in large quantities.

