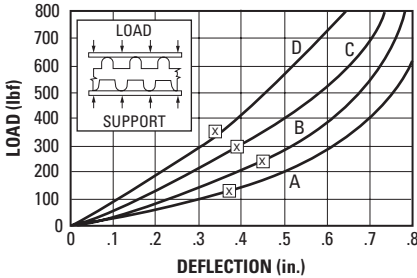
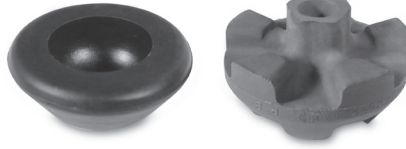


FOR LOADS OF 120 TO 350 lbf

PHONE: 516.328.3300 • FAX: 516.326.8827 • WWW.SDP-SI.COM

> MATERIAL:

Natural Rubber



Deflections below the X are considered safe practice for static loads; data above the X are useful for calculating deflections under dynamic loads.

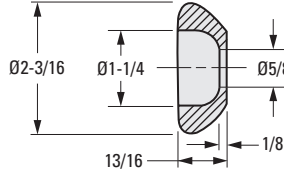
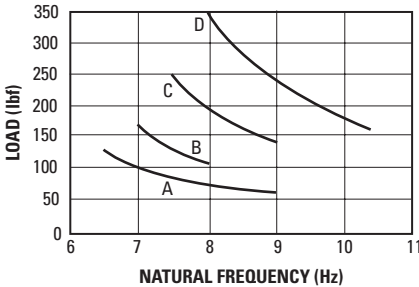


Fig. 1 Ring Style

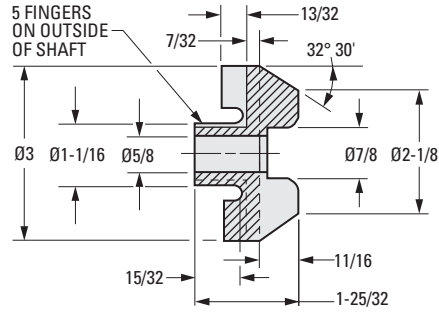


Fig. 2 Bushing Style

INCH COMPONENT

Catalog Number	Hardness Durometer	Compression Max. Load lbf	Forcing Frequency in Cycles per Minute								
			900	1000	1250	1500	1750				
			Minimum Load for 81% Isolation (lbf)								
Fig. 1											
A10R 4-1508C	50	250	250	178	105	65	48				
A10R 4-1508D	60	350	324	242	141	93	66				
Fig. 2											
A10R 4-1509A	30	120	—	98	46	30	22				
A10R 4-1509B	40	160	160	104	67	46	34				
A10R 4-1509C	50	250	250	178	105	65	48				
A10R 4-1509D	60	350	324	242	141	93	66				

I
R
T
1
2
3
4
5
6
7
8
9
10
11
12
13
14
15
16