

FOR LOADS OF 33 TO 135 lbf

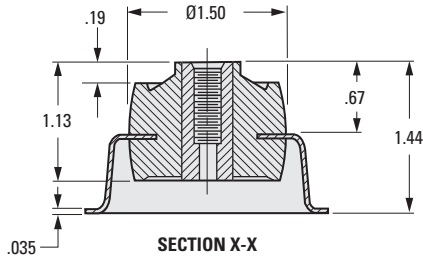
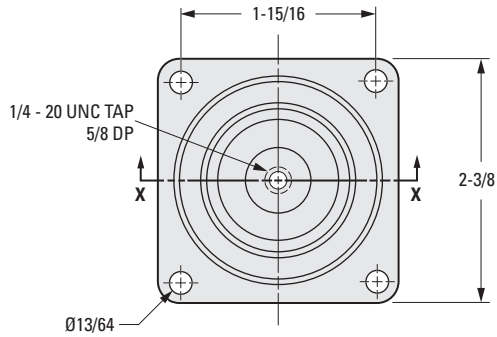
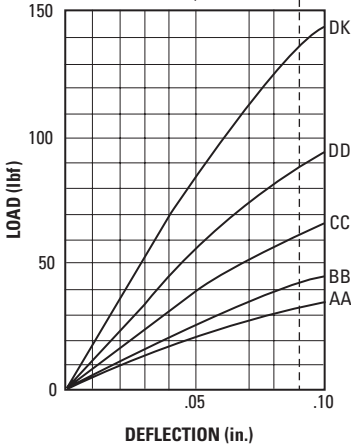
PHONE: 516.328.3300 • FAX: 516.326.8827 • WWW.SDP-SI.COM

> MATERIAL:

Isolator - Natural Rubber
Base - Steel, Zinc Plated



LOAD/DEFLECTION GRAPH
 Maximum Recommended
 Static Load/Deflection



INCH COMPONENT		Forcing Frequency in Cycles per Minute						
Catalog Number	Maximum Load lbf	1600	1750	2000	2500	3000	3500	4000
		Minimum Load for 81% Isolation (lbf)						
A10Z40-1240AA	33	33	27	22	14	10	7	6
A10Z40-1240BB	42	42	34	28	18	13	9	7
A10Z40-1240CC	62	62	51	42	27	19	14	11
A10Z40-1240DD	90	90	74	60	39	28	20	16
A10Z40-1240DK	135	135	114	93	60	43	30	24

