

# LEVELING BASE MOUNTINGS • TO 12000 lbf

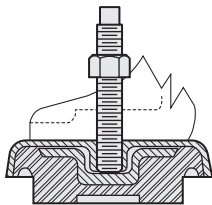
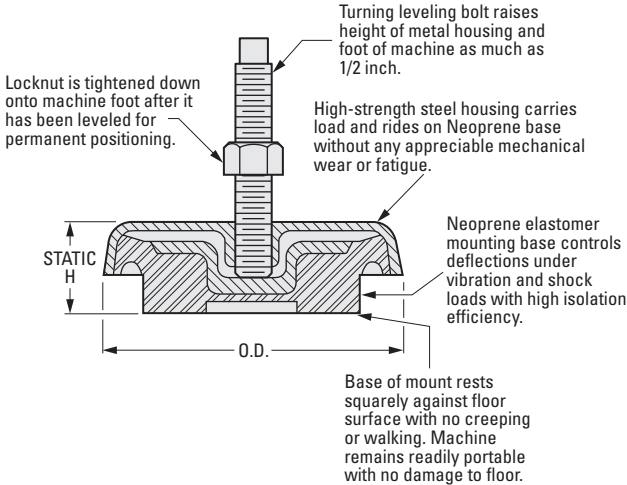


FOR LOADS OF 100 TO 12000 lbf

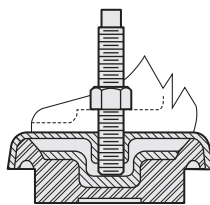
PHONE: 516.328.3300 • FAX: 516.326.8827 • WWW.SDP-SI.COM

## > INSTALLATION:

Raise the machine with conventional lifting devices; place the mountings beneath the machine feet and attach the leveling bolts to the mounting. Lower the machine and ensure that the total weight is carried by all of the mountings. Level to a desired height by gradual and sequential adjustment of the leveling bolts. Tighten the locknut.



BEFORE LEVELING



AFTER LEVELING

## INCH COMPONENT

Catalog Number	Load lbf		O.D.	H Static Height	Bolt Size & Length
	Min.	Max.			
A10Z25-LM3	100	500	3-1/2	1-1/8	1/2-13 x 3-1/2
A10Z25-LM5	500	1000	5	1-3/4	1/2-13 x 5
A10Z25-LM6	1000	4000	6-1/4		3/4-10 x 5
A10Z25-LM8	4000	12000	8	2	1-14 x 8

Natural Frequency is approximately 8 – 12 Hz at Max. Load.

8-56  
D820

REV:  
3/31/23

I

R

T

1

2

3

4

5

6

7

8

9

10

11

12

13

14

15

16