

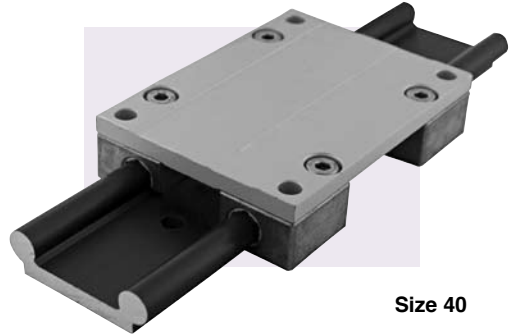
## ■ TECHNICAL INFORMATION

**Linear Guide System – Heavy-Duty**

Carriage assembly slides over the specially profiled, hard anodized aluminum rails. It is available in two sizes.

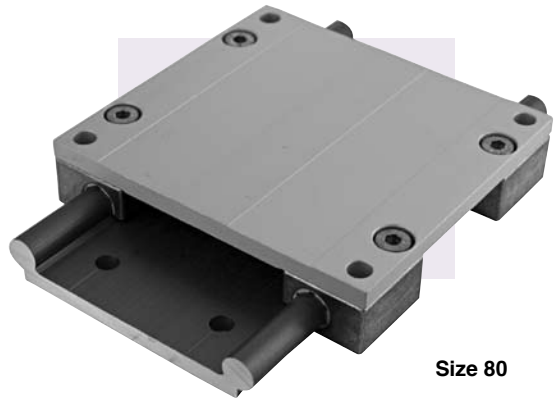
Unique features include:

- Low friction without lubrication
- Resistance to dirt and dust
- Low weight
- Quiet operation
- Low wear
- Maintenance-free

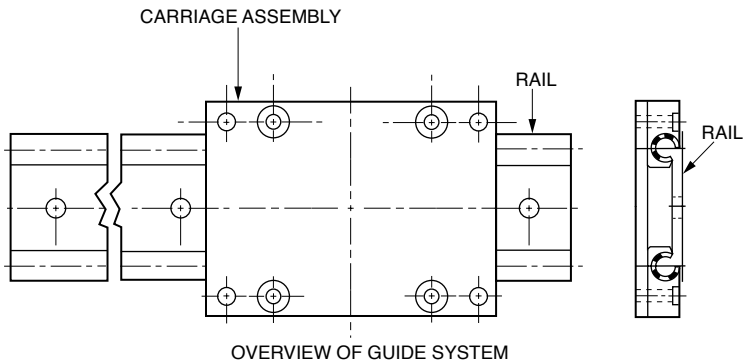


Size 40

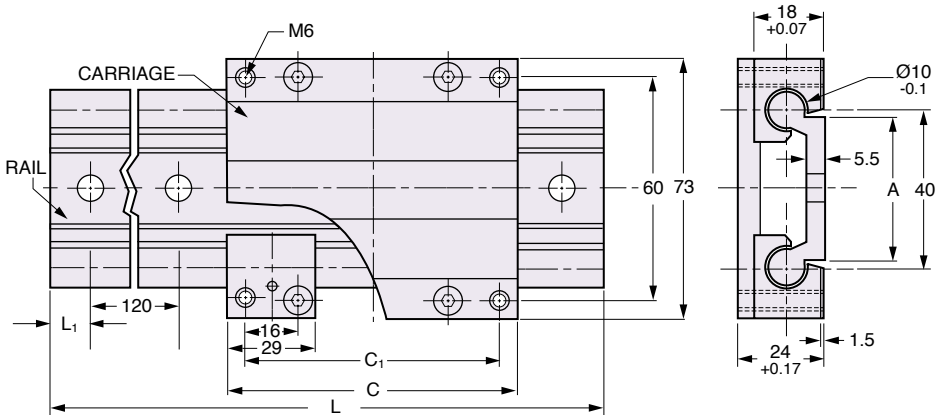
The sliding element is a specially formulated polymer material best suited for hard anodized aluminum rails. This combination results in low abrasion leading to excellent durability. The preconfigured parallel rails eliminate alignment problems and speed assembly. The carriage and rail combination is a compact, space-saving design with easy installation. The low and wide profile withstands high torque.



Size 80

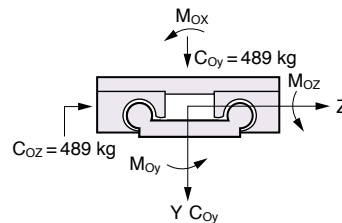


- LOW FRICTION
- LIGHTWEIGHT
- MAINTENANCE-FREE



**MATERIAL:** Hard Anodized Aluminum

RAILS				
Catalog Number	L Length mm	L <sub>1</sub>	A -0.3	Weight kg
S99GWRM401000	1000	20		1
S99GWRM402000	2000	40	40	2
S99GWRM404000	4000	20		4



**MATERIAL:** Plate – Aluminum  
 Blocks – Die Cast Zinc  
 Bearings – J® Polymer

**C = STATIC LOAD CAPACITY**

CARRIAGE ASSEMBLY						
Catalog Number	C	C <sub>1</sub>	Moment Load Capacity kg · m			Weight kg
			MoX	MoY	MoZ	
S99GWCM40100	100	87		17.323	17.323	0.29
S99GWCM40150	150	137	9.789	29.559	29.559	0.34
S99GWCM40200	200	187		41.808	41.808	0.4