

SINTERED BEARING SUPPORT
UNIDIRECTIONAL DRIVE

PHONE: 516.328.3300 • FAX: 516.326.8827 • WWW.SDP-SI.COM



> MATERIAL:

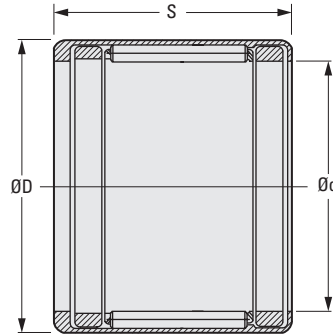
- Roller Cup** - Case-Hardened Steel
- Needle Bearing** - 52100 Hardened Chrome Steel
- Springs** - Stainless Steel
- Cage** - Plastic
- Bearing Support** - Sintered Bronze Bearings

> SHAFT REQUIREMENTS:

Shaft surface hardness must be HRC 58 min.

> HOUSING RECOMMENDATION:

Recommended tolerances for housing bore are N6 for steel, R6 for aluminum. Tolerances for housing bore of N7 for steel and R7 for aluminum can be used if only 50% of the torque is used.



METRIC COMPONENT

Catalog Number	d Shaft Dia. h6	D Dia.	S Face Width 0 -0.2	Torque Limit N • m	Max. Speed Limit rpm		Max. Load Limit N	Max. Load Speed Limit N/min.
					Shaft	Housing		
* Δ S99NH4MURC0408	4	8	8	0.34	34000	8000	80	16000
* S99NH4MURC0615	6	10	15	1.76	23000	13000	110	18000

* During operation of the above items:
 F max. = Load Speed Limit (N/min.)
 F_R = Load Limit (N)
 n = Speed Limit (housing or shaft) (rpm)
 F_R • n = F max.

Δ Equipped with plastic springs.

Continued on the next page

