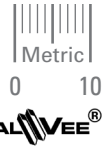


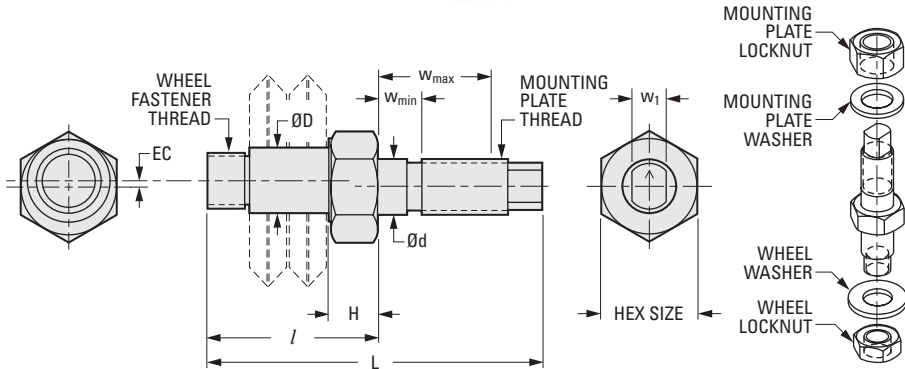
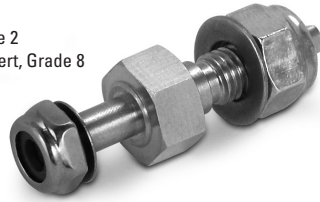
> MATERIAL:

- Journal** - Stainless Steel
- Washers** - Stainless Steel
- Wheel Locknut** - Steel, Zinc Plated, Nylon Insert, Grade 2
- Mounting Plate Locknut** - Steel, Zinc Plated, Nylon Insert, Grade 8



> SPECIFICATION:

Metric equivalent of Inch Component
A 7X17-...



METRIC COMPONENT

Catalog Number	Size	EC Offset	H Head Height	I Clearance Length	L Overall Length	D* Outside Dia. 0 -0.018	d Journal Dia. 0 -0.05	Mounting Plate Thread	Wheel Fastener Thread	w ₁ Adjustment Flat Width
A 7X17MJA0*	0	0.254	6.35	16.13	35.05	3.99	6.35	1/4-28	#8-32	3.18
A 7X17MJF0*	0	—	6.35	16.13	35.05	3.99	6.35	1/4-28	#8-32	3.18
A 7X17MJA1	1	0.305	6.35	17.65	36.58	4.76	6.35	1/4-28	#10-32	3.18
A 7X17MJF1	1	—	6.35	17.65	36.58	4.76	6.35	1/4-28	#10-32	3.18
A 7X17MJA2	2	0.61	7.14	24.54	51.56	9.52	9.53	3/8-24	5/16-24	6.35
A 7X17MJF2	2	—	7.14	24.54	51.56	9.52	9.53	3/8-24	5/16-24	6.35
A 7X17MJA3	3	1.067	9.53	32.39	64.26	11.99	11.1	7/16-20	7/16-20	6.35
A 7X17MJF3	3	—	9.53	32.39	64.26	11.99	11.1	7/16-20	7/16-20	6.35
A 7X17MJA4	4	1.524	11.1	39.04	77.22	15	12.7	1/2-20	1/2-20	7.92
A 7X17MJF4	4	—	11.1	39.04	77.22	15	12.7	1/2-20	1/2-20	7.92

Catalog Number (Ref.)	Size	Hex Size	Mounting Plate Width		Weight g	Hardware Supplied			
			W _{max}	W _{min}		Wheel Washer	Wheel Locknut	Mounting Plate Washer	Mounting Plate Locknut
A 7X17MJA0	0	3/8	9.53	3.18	14	—	#8	1/4 Flat	1/4
A 7X17MJF0	0	3/8	9.53	3.18	14	—	#8	Washer	1/4
A 7X17MJA1	1	7/16	9.53	3.18	16.1	#8 Flat	#10	1/4 Flat	1/4
A 7X17MJF1	1	7/16	9.53	3.18	16.1	Washer	#10	Washer	1/4
A 7X17MJA2	2	9/16	12.7	4.75	45.7	5/16 Flat	5/16	3/8 Flat	3/8
A 7X17MJF2	2	9/16	12.7	4.75	45.7	Washer	5/16	Washer	3/8
A 7X17MJA3	3	3/4	15.88	6.35	78	7/16 Flat	7/16	7/16 Flat	7/16
A 7X17MJF3	3	3/4	15.88	6.35	78	Washer	7/16	Washer	7/16
A 7X17MJA4	4	7/8	19.05	9.53	133.1	1/2 Flat	1/2	1/2 Flat	1/2
A 7X17MJF4	4	7/8	19.05	9.53	133.1	Washer	1/2	Washer	1/2

* Diameter Tolerance: 0/-0.013

◇ Inch Designation.

