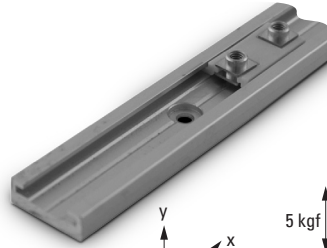


LOW-LOAD APPLICATIONS  
 REPLACEABLE GLIDE PADS  
 SELF-LUBRICATING  
 CORROSION-RESISTANT  
 LOW FRICTION

PHONE: 516.328.3300 • FAX: 516.326.8827 • WWW.SDP-SI.COM



**> MATERIAL:**

**Rails** - Anodized Aluminum  
**Carriage Assembly** - Plastic with Brass threaded inserts and J® Polymer Pads

**> OPERATING TEMPERATURE:**

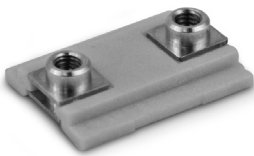
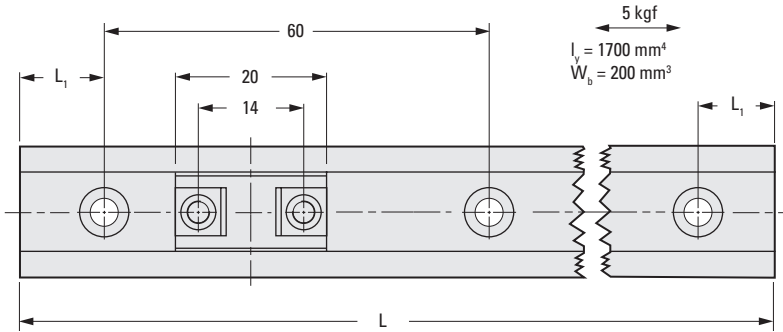
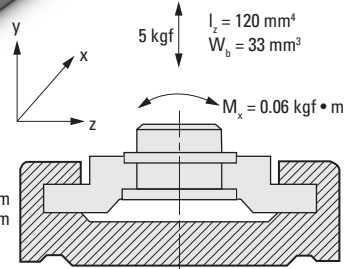
-40°C to +90°C

**> SPECIFICATIONS:**

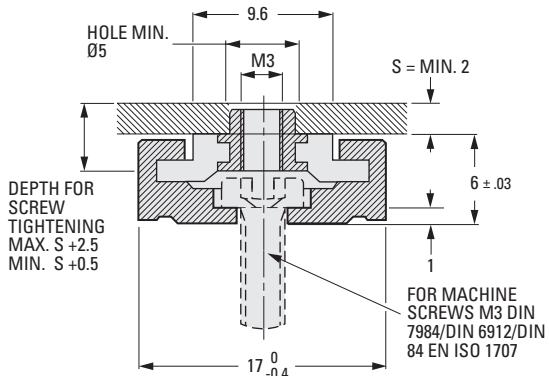
**Maximum Load:** 50 N  
**Maximum Speed:** 15 m/s

**LOAD DATA**

$I$  = Moment of Inertia  
 $W_b$  = Section Modulus  
 $M$  = Max. Torque



**Carriage Assembly**  
**S99GNCM17202**



**METRIC COMPONENT**

Catalog Number	L Length mm	L <sub>1</sub>	Weight g
<b>Rails</b>			
S99GNRM170490	490	35	73.5
S99GNRM170980	980	40	147
S99GNRM171470	1470	45	220.5
S99GNRM171960	1960	20	294
<b>Carriage Assembly</b>			
S99GNCM17202	—	—	1.7

I  
 R  
 T  
 1  
 2  
 3  
 4  
 5  
 6  
 7  
 8  
**9**  
 10  
 11  
 12  
 13  
 14  
 15  
 A