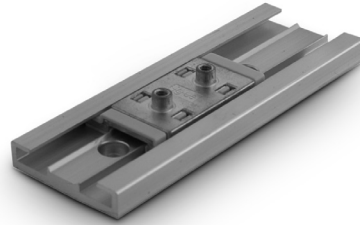


MEDIUM- TO HIGH-LOAD APPLICATIONS
 REPLACEABLE GLIDE PADS
 LOW FRICTION

PHONE: 516.328.3300 • FAX: 516.326.8827 • WWW.SDP-SI.COM



> MATERIAL:

Rails - Anodized Aluminum
Carriage Assembly - Zinc, Chromated
 and J® Polymer Pads

> OPERATING TEMPERATURE:

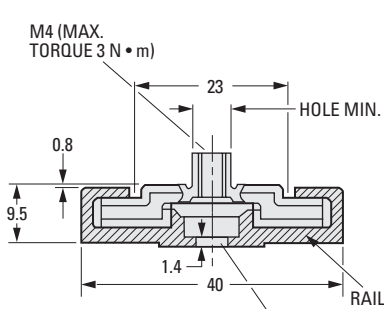
-40°C to +90°C

> SPECIFICATIONS:

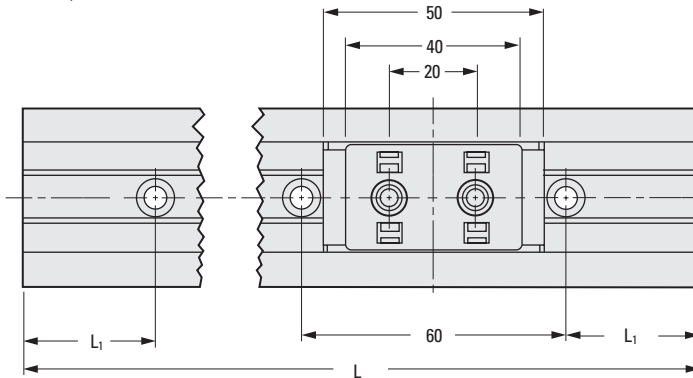
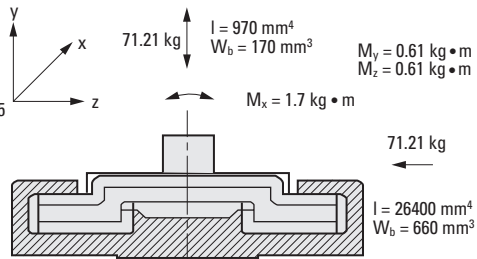
Maximum Load: 700 N
Maximum Speed: 15 m/s

LOAD DATA

I = Moment of Inertia
 W_b = Section Modulus
 M = Max. Torque



FOR MACHINE SCREWS M4
 DIN 7984/DIN 6912/DIN 84
 EN ISO 1707/EN ISO 7045



METRIC COMPONENT

Catalog Number	L Length mm	L ₁	Weight g
Rails			
S99GNRM401000	1000	20	450
S99GNRM402000	2000	40	900
S99GNRM403000	3000	30	1350
Carriage Assembly			
S99GNCM40502	—	—	30