

LINEAR GUIDE SYSTEM • LOW PROFILE SIZE 80

SDP/SI

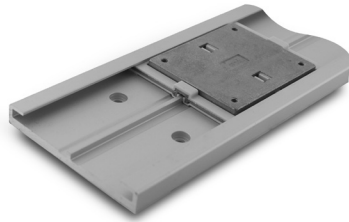
HIGH-LOAD APPLICATIONS
REPLACEABLE GLIDE PADS
LOW FRICTION

PHONE: 516.328.3300 • FAX: 516.326.8827 • WWW.SDP-SI.COM



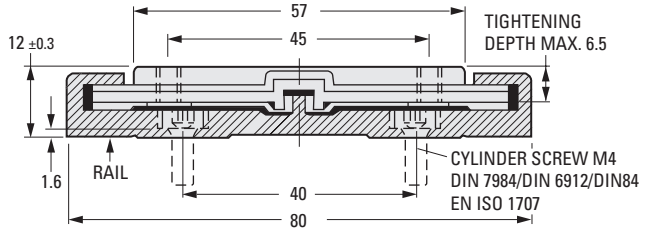
> MATERIAL:

Rails - Anodized Aluminum
Carriage Assembly - Zinc, Chromated and J[®] Polymer Pads

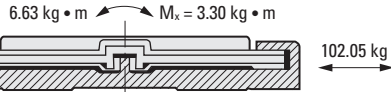


> SPECIFICATIONS:

Maximum Load - 50 N
Maximum Speed - 15 m/s
Operating Temperature: -40°C to +90°C



102.05 kg $I = 2900 \text{ mm}^4$ $M_y = 1.52 \text{ kg} \cdot \text{m}$
 $W_b = 380 \text{ mm}^3$ $M_z = 1.52 \text{ kg} \cdot \text{m}$

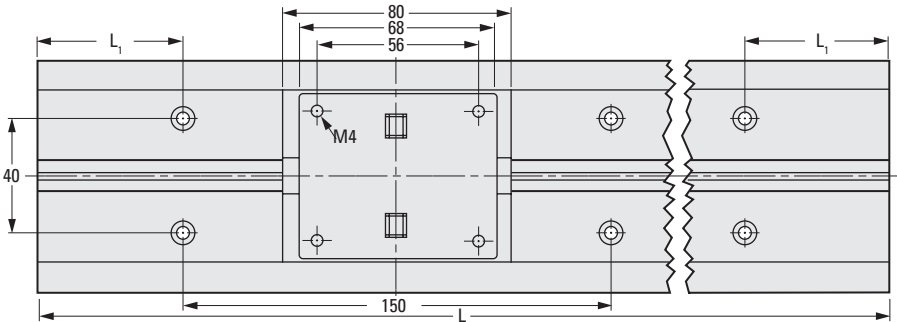


LOAD DATA

I = moment of Inertia
 W_b = Section Modulus
 M = Maximum Torque



Catalog Number	Weight g
Carriage Assembly	
S99GNCM80802	100



METRIC COMPONENT

Catalog Number	L Length mm	L ₁	Weight g
Rails			
S99GNRM800990	990	45	1128.6
S99GNRM801980	1980	90	2257.2
S99GNRM802970	2970	60	3385.8