

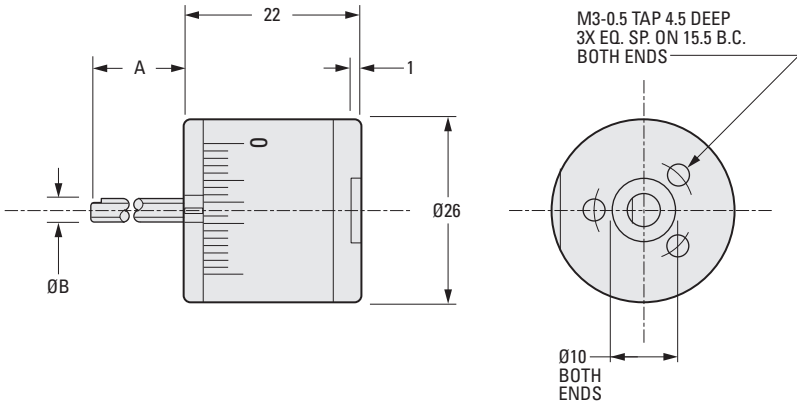
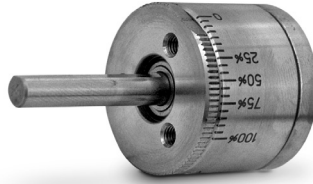
0.0003...0.014 N • m TORQUE RANGE  
 NONELECTRIC  
 NO WEARING PARTS  
 NO FRICTION

PHONE: 516.328.3300 • FAX: 516.326.8827 • WWW.SDP-SI.COM



**> MATERIAL:**

Housing and Shaft - Stainless Steel



The projections shown are per ISO convention.

**METRIC COMPONENT**

| Catalog Number | B Shaft<br>0<br>-0.03 | A Shaft Length | Torque Range<br>N • m | Weight<br>kg |
|----------------|-----------------------|----------------|-----------------------|--------------|
| S90MCCM5130213 | 5                     | 13             | 0.0003...0.002        | 0.071        |
| S90MCCM5130225 |                       | 25             |                       |              |
| S90MCCM5130713 | 5                     | 13             | 0.001... 0.007        | 0.071        |
| S90MCCM5130725 |                       | 25             |                       |              |
| S90MCCM5131413 | 5                     | 13             | 0.001... 0.014        | 0.071        |
| S90MCCM5131425 |                       | 25             |                       |              |

I

R

T

1

2

3

4

5

6

7

8

9

10

11

12

**13**

14

15

A