

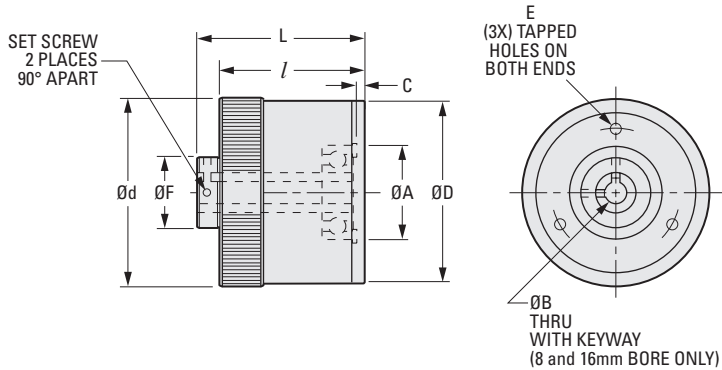
0.007...2.83 N • m TORQUE RANGE  
 NONELECTRIC  
 NO WEARING PARTS  
 NO FRICTION  
 HOLLOW BORE

PHONE: 516.328.3300 • FAX: 516.326.8827 • WWW.SDP-SI.COM



**> MATERIAL:**

**Housing** - Aluminum, Black Anodized Finish  
**Dial** - Steel, Black Oxide Finish



The projections shown are per ISO convention.

**METRIC COMPONENT**

Catalog Number	B Bore +0.025 0	L Length	l	D	d	A	C	Torque Range N•m
S90MCCMMTL0601	6	42	36	47.5	49.5	22	2	0.007...0.14
S90MCCMMTL0806	8	62	54	69	70	35		0.02 ...0.56
S90MCCMMTL1612	16	64	56	82	84	47	2	0.06 ...1.2
S90MCCMMTL1628		79	68	116	119	62		0.11 ...2.83

Catalog Number (Ref.)	F Hub Dia.	Set Screw	E			Keyway	Weight kg
			Thread	Depth	Bolt Circle		
S90MCCMMTL0601	19	M4	M4 -0.7	8	32	—	0.33
S90MCCMMTL0806	27		M4	10	48	3	1.04
S90MCCMMTL1612	37	M5	M5	10	60.33	5	1.62
S90MCCMMTL1628	35		M5 -0.8	12	76.2		4.07

- I
- R
- T
- 1
- 2
- 3
- 4
- 5
- 6
- 7
- 8
- 9
- 10
- 11
- 12
- 13
- 14
- 15
- A