

0.33...7.9 N • m TORQUE RANGE
 NONELECTRIC
 NO WEARING PARTS
 NO FRICTION
 HOLLOW BORE

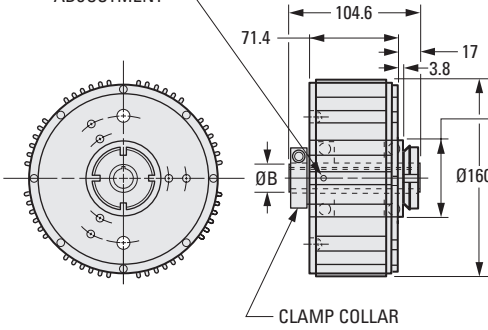
PHONE: 516.328.3300 • FAX: 516.326.8827 • WWW.SDP-SI.COM



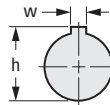
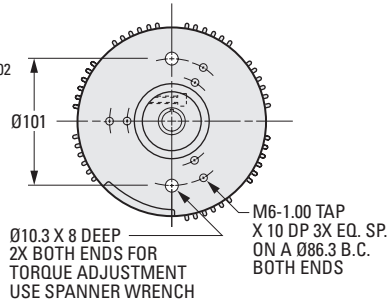
› MATERIAL:

Housing - Aluminum, Black Anodized Finish
Dial - Steel, Black Oxide Finish

(2) 1/4-28 SET SCREWS 90°
 APART FOR LOCKING TORQUE
 ADJUSTMENT



The projections shown are per ISO convention.



Keyway Dimensions		
Bore	16	19
w +0.05/0	5	6
h +0.25/0	18.3	21.8

METRIC COMPONENT

Catalog Number	B Bore +0.025 0	Torque Range N • m	Weight kg
S90MCCM80616	16	0.33...7.9	6.45
S90MCCM80619	19		

- I
- R
- T
- 1
- 2
- 3
- 4
- 5
- 6
- 7
- 8
- 9
- 10
- 11
- 12
- 13
- 14
- 15
- A