

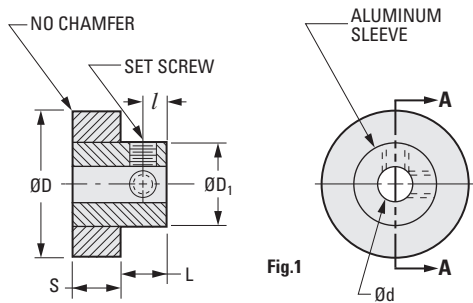
URETHANE SURFACE  
WITHOUT BEARING

PHONE: 516.328.3300 • FAX: 516.326.8827 • WWW.SDP-SI.COM

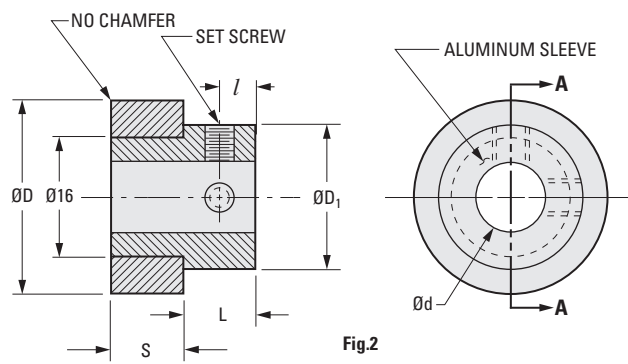
**> MATERIAL:**

- Roller** - Urethane 60 Durometer  
Ground Outside Diameter
- Sleeve** - Aluminum

All feed rollers supplied with 2 set screws



SECTION A-A



SECTION A-A

**METRIC COMPONENT**

Catalog Number	Fig. No.	D Dia. ± 0.075	d Bore +0.0127 0	S Face Width ± 0.25	L Hub Proj.	l	D <sub>1</sub> Sleeve O.D.	Set Screw
A 7T 5MUR1405	1	14	5	6.35	6.35	3.17	11.1	M3
A 7T 5MUR1905	1	19	5	6.35	6.35	3.17	11.1	M3
A 7T 5MUR1606	1	16	6	9.52	6.35	3.17	12.7	M4
A 7T 5MUR1906	1	19	6	9.52	6.35	3.17	12.7	M4
A 7T 5MUR2206	1	22	6	9.52	6.35	3.17	12.7	M4
A 7T 5MUR2510	2	25	10	9.52	9.52	4.76	19	M4
A 7T 5MUR3210	1	32	10	9.52	9.52	4.76	20.62	M5
A 7T 5MUR3810	1	38	10	9.52	9.52	4.76	25.4	M5
A 7T 5MUR3812	1	38	12	12.7	12.7	6.35	25.4	M6
A 7T 5MUR4412	1	44	12	12.7	12.7	6.35	31.75	M6
A 7T 5MUR5012	1	50	12	12.7	12.7	6.35	34.9	M6

