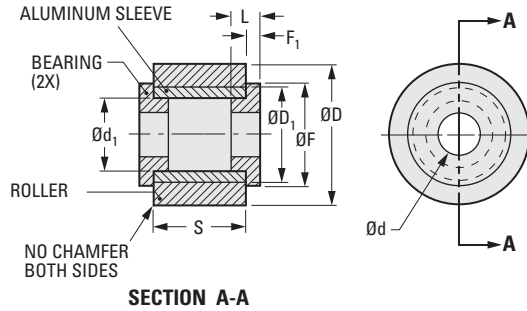


URETHANE SURFACE
WITH SINTERED BRONZE BEARING

PHONE: 516.328.3300 • FAX: 516.326.8827 • WWW.SDP-SI.COM

> MATERIAL:

- Roller** - Urethane 60 Durometer
Ground Outside Diameter
- Sleeve** - Aluminum Alloy
- Bearing** - Sintered Bronze



METRIC COMPONENT

Catalog Number	D O.D.	d Bore +0.038 0	S Face Width ± 0.25	L Bearing Length	F Flange Dia.	F ₁ Flange Thickness	d ₁ Sleeve I.D.	D ₁ Sleeve O.D.
A 7Z 5MUR1203A	12	3	6.35	4	9	1.5	6	8.74
A 7Z 5MUR1203B	12	3	18.2	4	9	1.5	6	8.74
A 7Z 5MUR1203C	12	3	12.7	4	9	1.5	6	8.74
A 7Z 5MUR1706	17	6	6.35	4	14	2	10	12.7
A 7Z 5MUR1906	19	6	12.7	4	14	2	10	12.7
A 7Z 5MUR2006	20	6	12.7	4	14	2	10	12.7
A 7Z 5MUR2306	23	6	12.3	4	14	2	10	17.47
A 7Z 5MUR2806A	28	6	11.12	4	14	2	10	12.7
A 7Z 5MUR2806B	28	6	17.47	4	14	2	10	12.7
A 7Z 5MUR5006	50	6	17.47	4	16	3	10	34.92
A 7Z 5MUR5008A	50	8	19.05	8	16	3	12	34.92
A 7Z 5MUR5008B	50	8	25.4	8	16	3	12	34.92

