

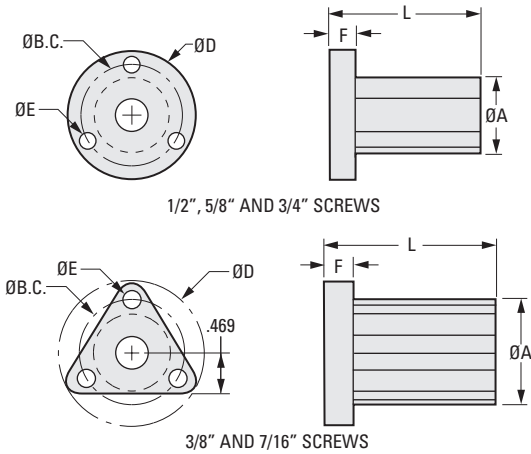
> MATERIAL:

Acetal with PTFE

PHONE: 516.328.3300 • FAX: 516.326.8827 • WWW.SDP-SI.COM

> TEMPERATURE RANGE:

32° F to 180° F



INCH COMPONENT

Catalog Number	Screw Size	Number of Starts	Lead in.	Efficiency %	Design Load lbf
AB29FT-37045	3/8-4	5	1.200	82	60
AB29FT-37081	3/8-8	1	.125	53	
AB29FT-37102	3/8-10	2	.200	65	
AB29FT-37121	3/8-12	1	.083	44	
AB29FT-37122		2	.167	60	
AB29FT-43082	7/16-8		.250	65	
AB29FT-50102	1/2-10		.200	57	125
AB29FT-62081	5/8-8	1	.125	40	175
AB29FT-62101	5/8-10		.100	35	
AB29FT-75061	3/4-6		.167	44	
AB29FT-75081	3/4-8		.125	36	275
AB29FT-75101	3/4-10		.100	31	

Catalog Number (Ref.)	A Dia.	L	D Dia.	E Dia.	F	B.C. Dia.
AB29FT-37...	.71	1.50	1.50	.20	.20	1.125
AB29FT-43...					.25	
AB29FT-50...	.75	1.63	2.00		.30	1.188
AB29FT-62...	.88			1.75	1.438	

REV: 3.12.14 JC

