

# MAGNETIC CLUTCHES & COUPLINGS

# SDP/SI

25 lbf in. TORQUE  
 NONELECTRIC  
 NO WEARING PARTS  
 NO FRICTION  
 HOLLOW BORE

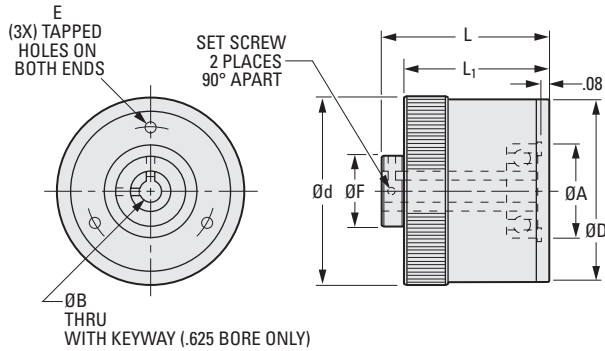
PHONE: 516.328.3300 • FAX: 516.326.8827 • WWW.SDP-SI.COM



**> MATERIAL:**

**Housing** - Aluminum, Black Anodized Finish

**Dial** - Steel, Black Oxide Finish



## INCH COMPONENT

Catalog Number	B Bore +.001 -.000	L Length	L <sub>1</sub>	D Dia.	d Dia.	A Dia.	Torque Range lbf in.
S90MCC-MTL25001	.250	1.65	1.42	1.87	1.95	.866	.06 – 1.25
S90MCC-MTL37505	.375	2.44	2.12	2.71	2.76	1.378	.18 – 5.00
S90MCC-MTL37510	.375	2.52	2.20	3.23	3.31	1.850	.50 – 10.60
S90MCC-MTL37525	.375	3.11	2.67	4.57	4.68	2.441	1.00 – 25.00
S90MCC-MTL50010	.500	2.52	2.20	3.23	3.31	1.850	.50 – 10.60
S90MCC-MTL50025	.500	3.11	2.67	4.57	4.68	2.441	1.00 – 25.00
S90MCC-MTL62510	.625	2.52	2.20	3.23	3.31	1.850	.50 – 10.60
S90MCC-MTL62525	.625	3.11	2.67	4.57	4.68	2.441	1.00 – 25.00

Catalog Number (Ref.)	F Hub Dia.	Set Screw	E			Keyway	Approx. Weight lb.
			Thread	Depth	Bolt Circle		
S90MCC-MTL25001	.75	M4	M4	.31	1.260	—	.73
S90MCC-MTL37505	1.06			.39	1.890		2.28
S90MCC-MTL37510	.99			.39	2.375		3.57
S90MCC-MTL37525	1.38	M5	M5	.47	3.000	—	8.95
S90MCC-MTL50010	.99			.39	2.375		3.57
S90MCC-MTL50025	1.38	M5	M5	.47	3.000	1/8	8.95
S90MCC-MTL62510	1.46			.39	2.375		3.57
S90MCC-MTL62525	1.38	M5	M5	.47	3.000	3/16	8.95

13-16  
D820

REV:  
4/25/23

- I
- R
- T
- 1
- 2
- 3
- 4
- 5
- 6
- 7
- 8
- 9
- 10
- 11
- 12
- 13
- 14
- 15
- 16