

POWER-ON FLANGE-MOUNTED BRAKES



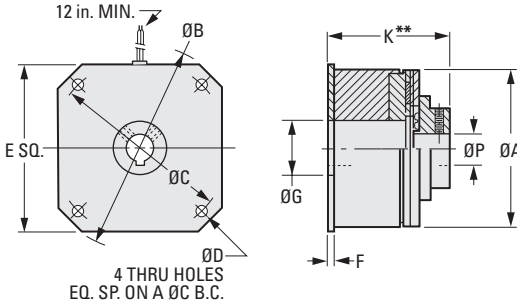
ZERO DRAG WHEN DE-ENERGIZED
ANTI-BACKLASH WHEN ENERGIZED

PHONE: 516.328.3300 • FAX: 516.326.8827 • WWW.SDP-SI.COM

> COIL DATA:

Voltage: 24V DC

Other voltages available on special order.



Keyway Dimensions			
Bore	.250	.375	.500
Width	.062	.094	.125
Height	.286	.425	.564

INCH COMPONENT

Catalog Number ^Δ	Static Torque lbf in.	Nom. Resist. ohms	Max. wattage	Armature Inertia lbf in. sec ²	Energy Dissipation lbf ft./min.	Armature		P Bore
						Engagement msec	Disengagement msec	
S90BF9-11A04	5	128	5	3.4 x 10 ⁻⁵	175	5	18	.250
S90BF9-17A04	15	108	6	8.1 x 10 ⁻⁵	420	10	27	
S90BF9-22A06	40	75	8.5	33.1 x 10 ⁻⁵	1400	12	32	
S90BF9-26A08	80	66	9.5	81.0 x 10 ⁻⁵	2600	15	35	.375

Catalog Number (Ref.)	A Dia. Max.	B Dia.	C Dia.	D Dia.	E Max.	F	G Dia.	K** Max.	Weight lb.
S90BF9-11A04	1.25	1.498	1.31	.125	1.17	.05	.53	1.14	.2
S90BF9-17A04	1.78	2.436	2.13	.187	1.82	.06	.75	1.27	.5
S90BF9-22A06	2.26	2.873	2.50	.166	2.33		.88	1.74	.9
S90BF9-26A08	2.63	3.499	3.13	.187	2.63		1.06	1.84	1.2

* Typical torque after burnishing; units shipped burnished.

** For Catalog Number:

-11A04, initial working air gap at installation shall be .004/.009.

-17A04, -22A06, -26A08 initial working air gap at installation shall be .006/.013.

^Δ To be discontinued when current stock is depleted.

I

R

T

1

2

3

4

5

6

7

8

9

10

11

12

13

14

15

16