

STUD TYPE CAM FOLLOWERS

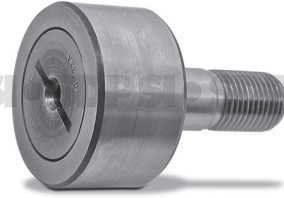
SDPSI

NEEDLE BEARINGS
CAGE-GUIDED
FULL-COMPLEMENT

PHONE: 516.328.3300 • FAX: 516.326.8827 • WWW.SDP-SI.COM

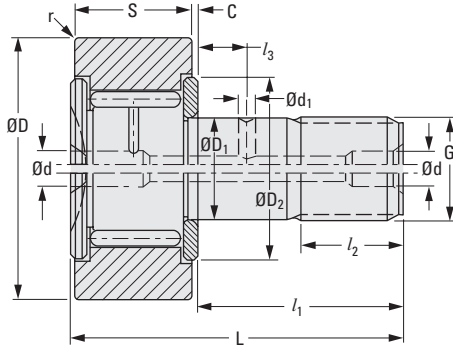
> MATERIAL:

Roller & Needles - 52100 Steel
Stud - 1055 Steel



Catalog Number	Load Ratings* N			
	Dyn. C	Stat. C ₀	Dyn. C _w	Stat. C _{ow}
S9930AMKRV16	6400	8500	4850	6500
S9930AMKRV19	7300	10800	5500	7900
S9930AMKRV22	8600	12900	6300	9100
S9930AMKRV26	8600	12900	7300	11300
S9930AMKRV30	12200	19000	9500	14600
S9930AMKRV32			10000	15800
S9930AMKRV35	18300	35000	12800	23000
S9930AMKRV40	21000	39500	14800	26500

* The basic load ratings C and C₀ apply if the bearing outer ring (with cylindrical outside surface) is mounted into a housing with standard bearing fit; when used as track roller, the load rating C_w and C_{ow} apply.



METRIC COMPONENT

Catalog Number	l ₁ Stud Length	D Roller Dia.	D ₁ Stud Dia. h7	S Roller Width	L Length	G Thread Size	l ₂ Thread Length	Lubrication Holes Dia.	
								d	d ₁
S9930AMKRV16	16	16	6	11	28	M6 x 1	8	4 Δ	—
S9930AMKRV19	20	19	8		32	M8 x 1.25	10		
S9930AMKRV22	23	22	10	12	36	M10 x 1	12	4	—
S9930AMKRV26		26							
S9930AMKRV30	25	30	12	14	40	M12 x 1.5	13	6	3
S9930AMKRV32		32							
S9930AMKRV35	32.5	35	16	18	52	M16 x 1.5	17	6	3
S9930AMKRV40	36.5	40	18	20	58	M18 x 1.5	19		

Δ Relubrication via stud end face

Catalog Number (Ref. Only)	l ₃ Location	r Corner Radius Min.	C	Max. Speed** rpm	Stud Housing Dia.		D ₂ Clamp. Dia.	Max. Clamp. Torque N • m
					Min.	Max.		
S9930AMKRV16	—	0.15	0.6	8500	8.964	9.000	12	3
S9930AMKRV19				7000	10.957	11.000	14	8
S9930AMKRV22	—	0.3	0.6	6000	12.957	13.000	17	15
S9930AMKRV26								
S9930AMKRV30	6	0.6	0.6	4500	14.957	15.000	23	22
S9930AMKRV32								
S9930AMKRV35	8	0.6	0.8	3400	19.948	20.000	27	58
S9930AMKRV40		1		2900	21.948	22.000	32	87

** Limiting speeds shown are for grease lubrication. With oil lubrication, the speed can be increased by approximately 30% except for sealed versions (which are available on special order).

- I
- R
- T
- 1
- 2
- 3
- 4
- 5
- 6
- 7
- 8
- 9
- 10
- 11
- 12
- 13
- 14
- A